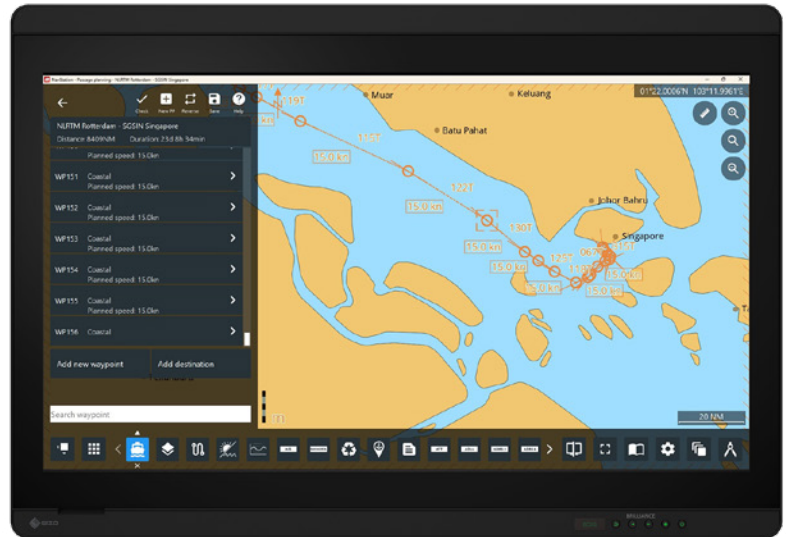




DuraVision® MDF2701W

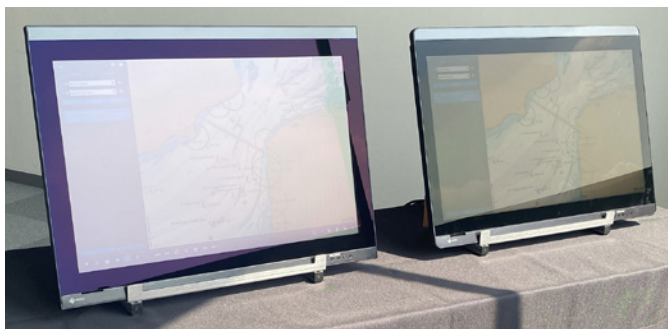
27.0" Color LCD Monitor



27" Monitor with Optical Bonding for ECDIS / RADAR and Maritime Navigation Systems

Optical Bonding

The DuraVision MDF2701W is equipped with optical bonding for increased visibility and durability. Optical bonding increases light transmission from the monitor's backlight and reduces screen reflection for exceptional visibility. It also prevents condensation that causes conventional screens to become foggy in environments with extreme temperature fluctuations.



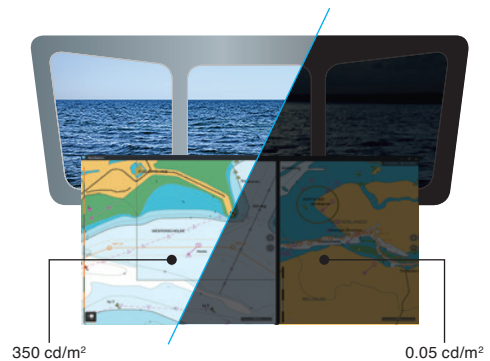
Left: Without Optical Bonding, 500 cd/m² (with protective glass)
Right: With Optical Bonding, 350 cd/m² (with protective glass)



Learn more

Wide Brightness Range

The monitor has a wide dimming range of 0.05 to 350 cd/m². This allows operators to adjust to the appropriate brightness level for optimal visibility during the day or at night.



Calibrated for ECDIS

Backlight brightness, gamma, and RGB color settings are calibrated at the factory so the monitor achieves accurate color reproduction, meeting the highly specialized requirements of ECDIS systems. The monitor is certified with IEC 61174, IEC 62288, and IEC 62388 international standards for ECDIS and RADAR applications.

DuraVision® MDF2701W

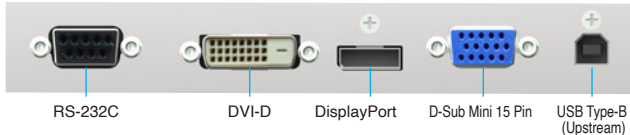
Maritime Classifications

The monitor is pending certification by major maritime classifications, such as DNV (Germany / Norway), LR (UK), ABS (USA), NK (Japan), and EU RO MR.



Complete Connection

The monitor is equipped with DisplayPort™, DVI-D, and D-Sub inputs. It is also equipped with USB Type-B and RS-232C communication interfaces.



Power Supply Redundancy

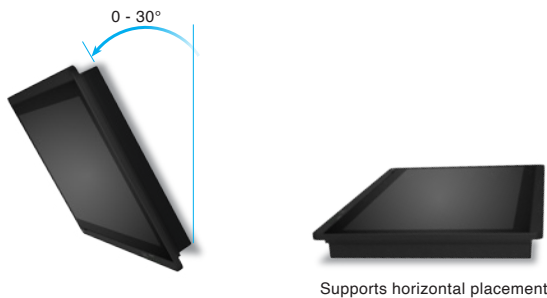
Multiple power inputs allow you to power the monitor using either a DC or AC connection, or both in parallel for redundancy.

Fanless Operation

EIZO designed the monitor to prevent heat buildup, negating the need for fans, by implementing a unique, low power consumption design and using cutting-edge thermo-fluid analysis. This eliminates the risk of hardware failure or deterioration of internal components due to external air intake from fans.

Flexible Positioning

The monitor can be installed and operated horizontally or tilted downward up to 30° without affecting performance. This allows it to be flexibly mounted, including in positions above eye level.



Low Power Consumption

The monitor consumes a maximum of just 45 W.

Material Composition Using Recycled Plastic

The monitor uses recycled plastic as part of its material composition. This includes ocean-bound plastic that is disposed of within approximately 50 km of the coast, helping to reduce the amount of plastic waste entering the environment.

Long-Term Reliability

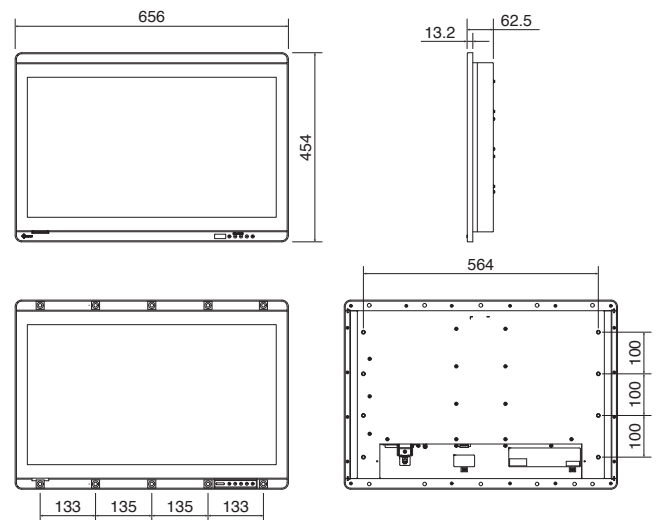
The monitor is built for 24-hour use and is backed by a 3-year manufacturer's warranty for long-term reliability.



Specifications

Model Variations	MDF2701W-BK: Optical Bonding, Panel mount, black	
Panel	Type	VA
	Backlight	LED
	Size	27.0" (68.6 cm)
	Native Resolution	1920 x 1080 (16:9 aspect ratio)
	Viewable Image Size (H x V)	597.6 x 336.15 mm
	Pixel Pitch (H x V)	0.311 x 0.311 mm
	Display Colors	16.77 million
	Viewing Angles (H / V, typical)	178°, 178°
	Brightness (typical)	350 cd/m ²
	Contrast Ratio (typical)	3000:1
Response Time (typical)	12 ms (black-white-black)	
Video Signals	Input Terminals	DisplayPort (HDCP 1.3), DVI-D (HDCP 1.4), D-Sub mini 15 pin
	Digital Scanning Frequency (H / V)	31 - 76 kHz / 59 - 61 Hz
	Analog Scanning Frequency (H / V)	31 - 81 kHz / 56 - 76 Hz
	Sync Formats	Separate
USB	Upstream	USB 2.0: Type-B
	Power Input	AC 100 - 240 V, 50 / 60Hz, DC 24 V
	Maximum Power Consumption	AC: 45 W, DC: 44 W
	Power Save Mode	5 W or less
Features & Functions	Pre-set Modes	Custom, Day, Dusk, Night
	Communication Interface	DDC/CI, RS-232C, USB
	Communication Protocol	EIZO proprietary
Physical Specifications	Dimensions (Without Stand, W x H x D)	656 x 454 x 62.5 mm
Environmental Requirements	Net Weight (Without Stand)	8.6 kg
	Operating Temperature	-15 - 55°C
	Operating Humidity (R.H., non condensing)	10 - 93%
	Degree of Protection	IP65 (front) IP22 (rear)
Safe Distance of Nautical Equipment from Compasses	Standard Compass	0.8 m
	Steering Compass	0.55 m
Certifications & Standards (Please contact EIZO for the latest information.)	Ship Classification: DNV (Norway / Germany), NK (Japan), LR (UK), ABS (US) General: CB, CE, UKCA, RoHS, WEEE, IEC 60945 (EMC/environmental testing), IEC 61174/IEC 62288/IEC 62388 (items for monitor), EU RO MR	
Supplied Accessories (May vary by country. Please contact EIZO for details.)	Setup manual, Cleaning cloth	
Warranty	3 Years (24-hour use)	

Dimensions (Unit : mm)



EIZO Corporation

153 Shimokashiwano, Hakusan, Ishikawa 924-8566 Japan
Phone: +81-76-277-6792
<https://www.eizoglobal.com>

EIZO, the EIZO logo, and DuraVision are registered trademarks of EIZO Corporation in Japan and other countries. DisplayPort is a trademark of the Video Electronics Association in the United States and other countries. All other company names, product names, and logos are trademarks or registered trademarks of their respective owners. Specifications are subject to change without notice. Screen images provided by NAVTOR.